

## Instruction Leaflet for Rotary Close Couple Handle For L-Frame Circuit Breakers

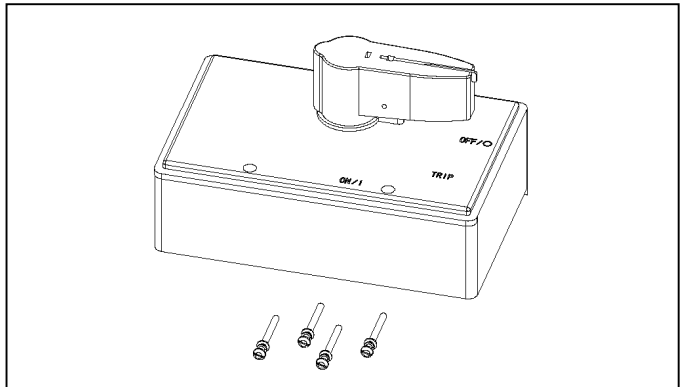


**Warning**



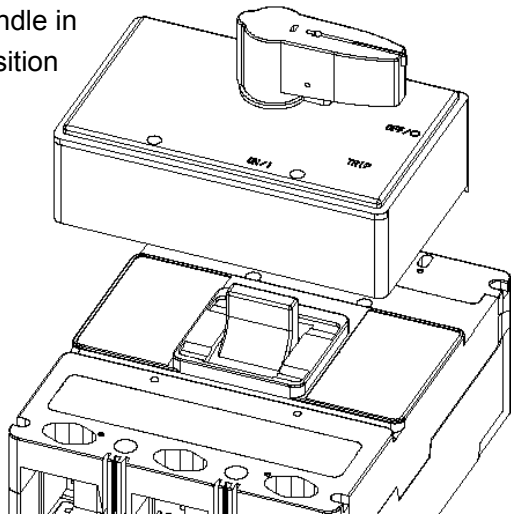
**DO NOT ATTEMPT TO INSTALL OR PERFORM MAINTENANCE ON EQUIPMENT WHILE IT IS ENERGIZED.**

**DEATH OR SEVERE PERSONAL INJURY CAN RESULT FROM CONTACT WITH ENERGIZED EQUIPMENT. ALWAYS VERIFY THAT NO VOLTAGE IS PRESENT BEFORE PROCEEDING.**



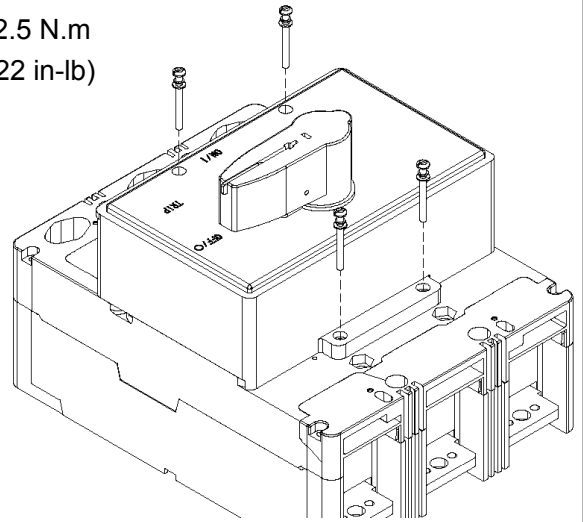
①

Both handle in OFF position



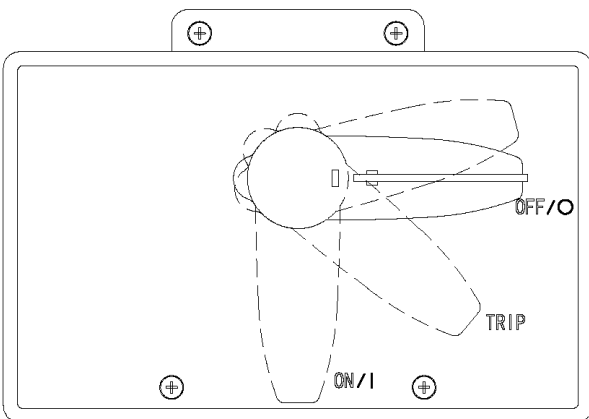
②

2.2-2.5 N.m  
(20-22 in-lb)



③

Test full range of motion



④

Customer-supplied pad lock

Make sure tab engages slot

